

INDICO IQ[®] SP

Specialized High Frequency X-Ray Generator

Intelligence
Enhanced Dose Control
Superior Image Quality
Reliability

The performance and reliability offered by our products stems from years of technological advancements and have become a cornerstone of many leading technologies in different market segments.

The Indico IQ[®] SP High Frequency X-Ray Generator Series continues CPI's history of innovation with leading edge solution for vascular imaging, special procedures, and universal R&F markets and offers expansive value-added features and advanced capabilities.



BENEFITS:

- Low dose and advanced dose management
- Enhanced image quality with grid, bi/tri focal spot, tubes with Liquid Metal Bearing (LMB)
- Rapid response to exposure request
- Fast ABS settling time
- High duty cycle
- Versatile interface options and ease of system integration using Ethernet



Power Electronics Division

+1 888 CPI XRAY

+1 905 877 0161

medicalmarketing@cpii.com

www.cpii.com/medical/rfgenerators

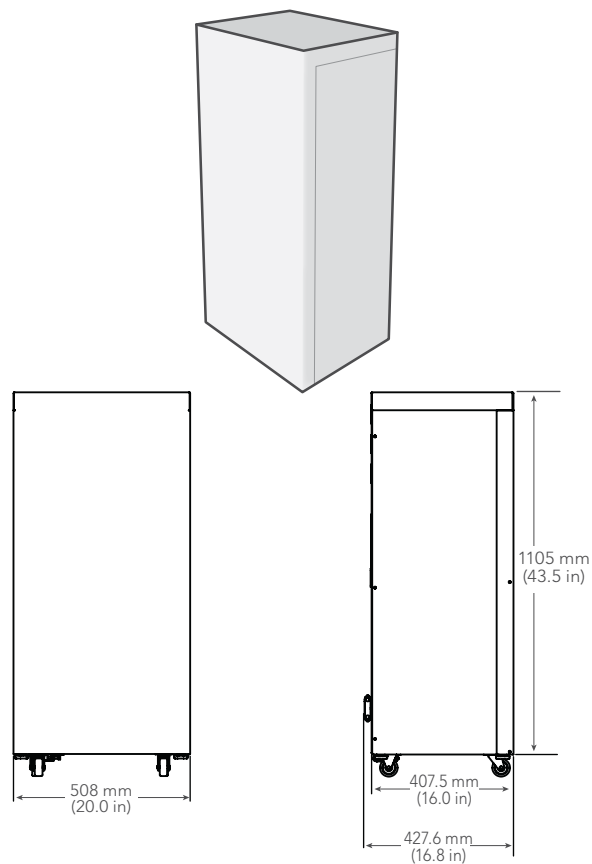
For more detailed information, please refer to the corresponding CPI technical description (if published), or contact CPI before using this information for system design. Specifications may change without notice as a result of additional data or product refinement.

©2022 Communications & Power Industries LLC. Company proprietary: use and reproduction is strictly prohibited without written authorization from CPI.

Jun. 2023

FEATURES

- Advanced and configurable 100 kW standard (80 kW optional).
- Supports Cine, DSA, and R&F with CF & PF.
- Maximize tube response using Smart Rotor Control, including Low Speed SuperBoost™ and Smart Filament Control.
- Rapid ABS performance using Ethernet for ABS feedback, Smart Rotor and Filament Controls.
- Variety of communications interfaces and I/O for complete system integration.
- Expansive standard and advanced options available to power modern systems and specialized applications.
- Compatible tubes features: LMB, Grid, Dual/Anode-End Grounded, Active Getter, 1Φ & 3Φ stator, etc.
- Enhanced diagnostics capability using event and error logs.



ISO 13485:2015
CERTIFIED

ISO 9001:2015
CERTIFIED

Registered Trademarks, excluding TÜV, are U.S. Registered Trademarks of Communications & Power Industries Canada Inc.